

ROLLER VENTO

2.20 meters Diameter

MODEL:
RV22XA0506



GENERAL	
Model	RV22XA0506
Diameter	2.20 Meters
length, width and height (referring to the drawings of the bottom)	2.50 m x 2.50 m x 0.84 m
Airfoil type	XA
Airfoil quantity	6
Horse power	0.5 HP / 0.37 KW
Equipment weight	154 Kg

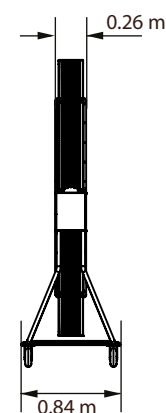
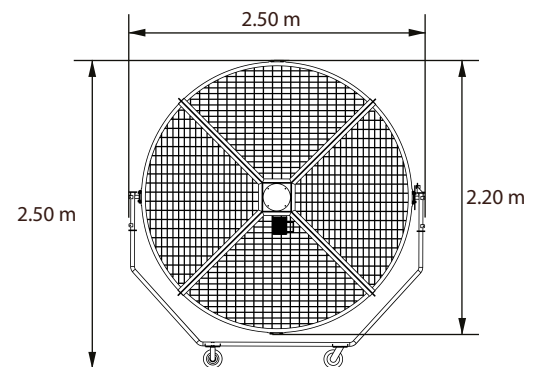
PERFORMANCE AT MAXIMUM SPEED	
Free air displacement	52,211 CFM
Maximum speed	180 RPM
Energy consumption at maximum speed	0.37 KW
Covered area	8 X 38 mts
Noise level	48 dB

(The covered area is understood as a clear area. This means that there should not be obstructions interrupting the air flow.)
The result from CFM was obtained from a computer specialized ventilation program.

MOTOR	
Power	0.5 HP / 0.37 KW
Recommended operating temperature	0° - 40° C
Note: If temperature exceeds 40° C, gear motor's performance will decrease as long as it remains working in these circumstances.	
Class	NEMA B

VARIABLE FREQUENCY DRIVE	
Nominal voltage	110 V 1Ø, 208/220V 1Ø
Type	IP 65

WARRANTY*	
2 years VFD Variable Frequency Drive.	
3 years electric motor, gear reducer.	
15 years airfoils, Hub, Hardware kit	



Phones:
+52 (33) 3617 6462
+52 (33) 3331 0034
+52 (33) 1202 5948
+52 (33) 3613 0694

Aguiles Serdán No. 284. Guadalajara Jalisco, México
ventas@bigvento.com
ventas@megaventilacion.com
www.bigvento.com
www.megaventilacion.com

megaventilación
S.A. de C.V.

BIG VENTO
energía verde

* Request warranty letter for terms and conditions